

SIGMACLAD



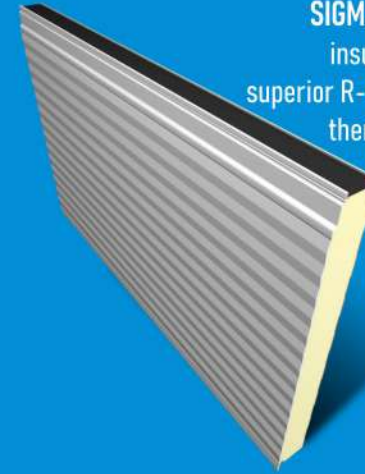
STRONG & LIGHT STRUCTURE • FAST INSTALLATION • COOLER BUILDING

“SIGMACLAD Sandwich Panels are used in huge varieties of building, to meet the standard designs of architects”.

Sigmaclad’s commercial & industrial wall and roof systems offer designers a comprehensive range of building solutions for vertical and horizontal wall applications.

Available in multiple profiles, finishes and color options trimless ends and cover widths, insulated panels provide customized building design and creative freedom.

The panels are easily integrated with traditional construction methods and building systems.



SIGMACLAD Sandwich Panel insulated wall systems offer superior R-values with unparalleled thermal performance during service life, all build-in to a single off-site factory assembled insulated panel.



ENERGY EFFICIENCY

Due to its excellent insulation property from sound and temperature, able to significantly reduce the energy consumption for electricity, especially for air conditioning purposes.



GOOD INSULATION

Cooler walls and roof means increased productivity inside the building.



LOW COST

Highly efficient, fast build time and less man power needed to build



KNOCK DOWN

With knock down installation system, offer a flexible way to design the building layouts in a more favorable way.



ECO FRIENDLY

Reducing the usage of woods in construction, a safer choice for both the users and the environment.



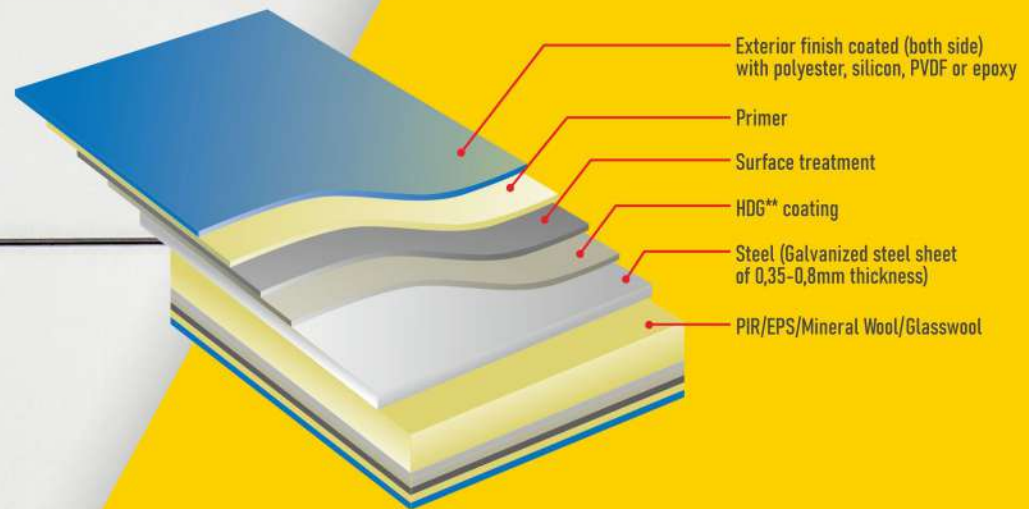
NEAT & CLEAN

Easier to clean, for more hygienic building with modern & elegant look

SUPERIOR AIR & WEATHER TIGHTNESS

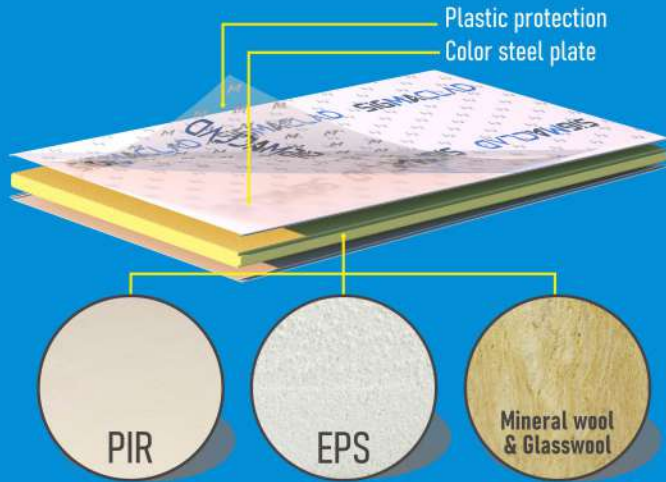
One of the main sources for heat loss in the building is air leakage. SIGMACLAD is thoroughly designed and engineered

SIGMACLAD Sandwich Panel consist of highly qualified materials that allows the construction complexity simplified while maintaining a solid structure



SIGMACLAD Sandwich Panel is well-suited for extreme climate. Cost-effective, Lightweight construction material with Excellent Insulation properties.

3 CORES WITH HIGH R-VALUE



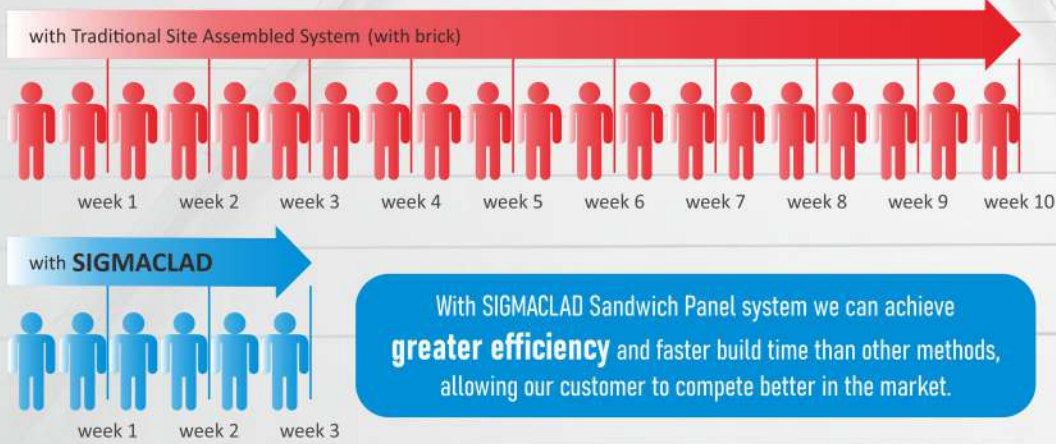
MATERIAL	R-VALUE (m ² .C/(W.inch))
Polyisocyanurate Foam	1.4
Polyurethane Foam	1.25
Phenolic Spray Foam	0.95
Phenolic Rigid Panel	1.2
Rockwool & Glasswool	0.7
EPS Foam	0.6
Cellulose Spray	1.75
Fiberglass Rigid Panel	2
Cementitious Foam	1.95
Brick	0.2
Concrete	0.2
Aluminium Foil	-
UPVC Roof	-

Tested by CELLINDO R&D Dept.



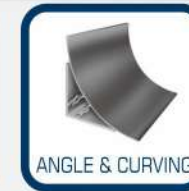
CONSTRUCTION

sample area = 3.500 m² time comparison [SIGMACLAD & traditional] = 1:3

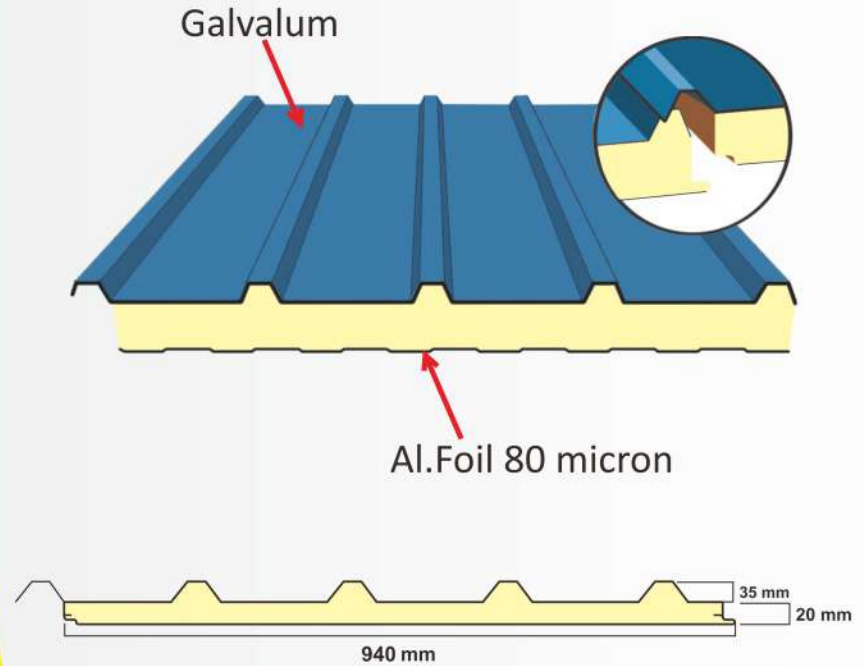


Perfect Combination
of excellent R-Value
structural performance
with cost efficiency
makes **SIGMACLAD**
your champion in Industrial,
Household, Commercial
and other Architectural
solution

ACCESSORIES



ROOF ALU Sandwich Panel



Material Weight: 5,50 kg/m²

Sandwich Roof Alu for concentrated load (kg)

Span (mm)	Concentrated load (kg) for thickness 20mm
1300	300.00

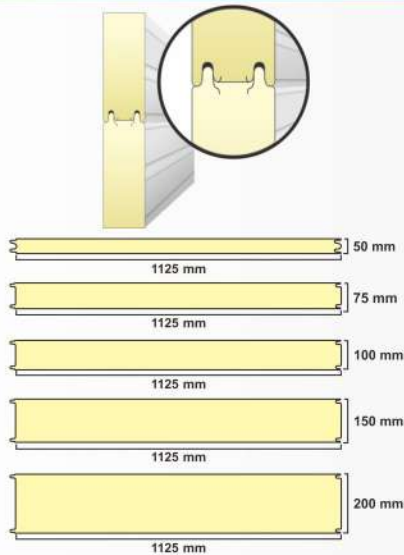


PIR

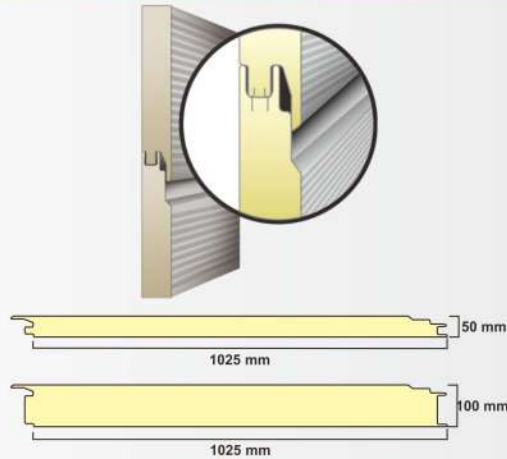
Sandwich Panel

PIR CORE Sandwich Panel is an upgrade & improvement of commonly used PUR board typically manufactured as rigid thermal insulation. Offering MANY advantages compared to traditional insulation materials. Saving 80 TIMES more energy than the commonly used in the market

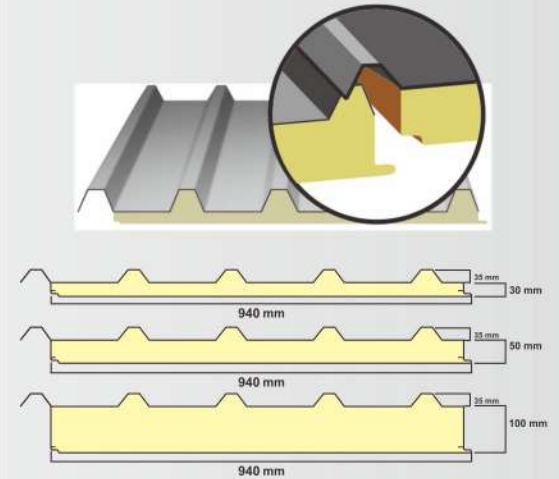
WALL PANEL INTERIOR



WALL PANEL EXTERIOR



ROOF PANEL



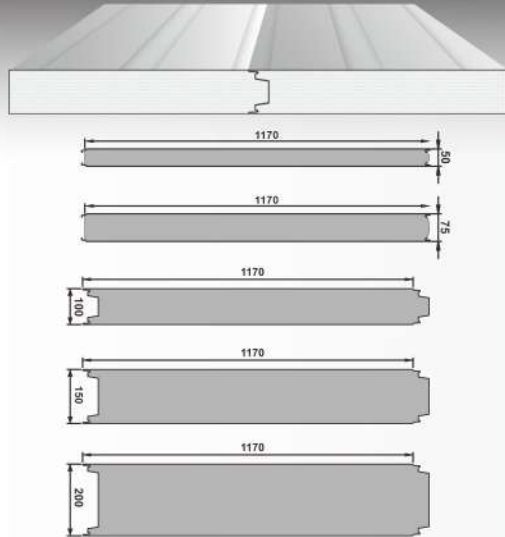
Eff. Width - Wall Interior	Eff. Width - Wall Exterior	Eff. Width Roof	Core Thickness (mm) (±3mm)					R Value	Density	Thermal Conductivity	Fire class	
1125 mm (±3mm)	1025 mm (±3mm)	940 mm (±3mm)	30	50	75	100	150	200	1,4 m ² .C/(W.inch)	42 - 45 kg/m ³ (std) *Made by request	0,025 (W/m.K)	Std & Flame retardant

EPS

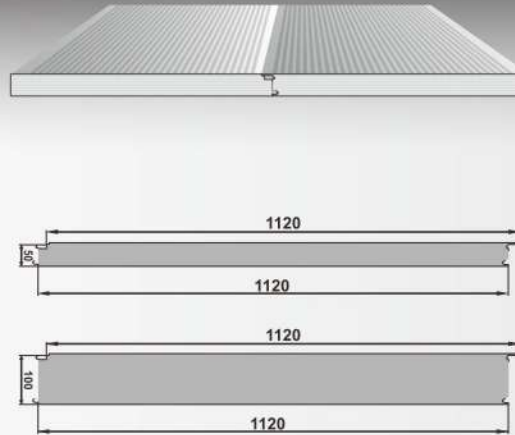
Sandwich Panel

EPS (Expanded Polystyrene) CORE contains a perfectly fit, well-engineered polystyrene inside our mould. Lightweight & solid, with well insulation properties, well-suited for fresh food containers as well as solid building material.

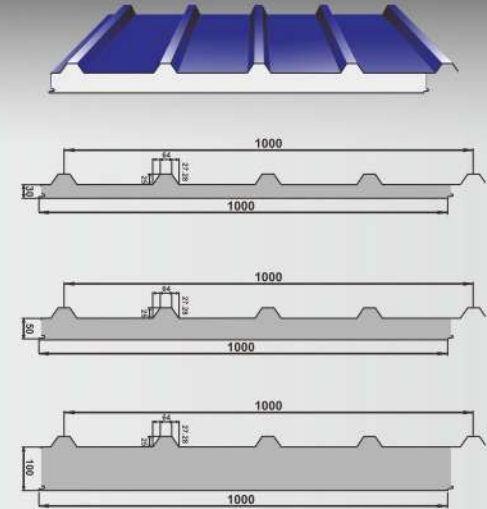
WALL PANEL INTERIOR



WALL PANEL EXTERIOR



ROOF PANEL



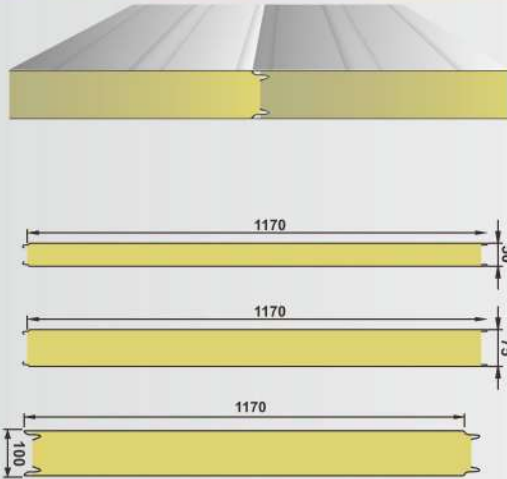
Eff. Width - Wall Interior	Eff. Width - Wall Exterior	Eff. Width Roof	Core Thickness (mm) (±3mm)					R Value	Density	Thermal Conductivity	Fire class	
1170 mm (±3mm)	1120 mm (±3mm)	1000 mm (±3mm)	30	50	75	100	150	200	0.7 m ² .C/(W.inch)	14 - 15 kg/m ³ (std) *Made by request	0,031 (W/m.K)	Std & Flame retardant

MINERAL WOOL & GLASSWOOL Sandwich Panel

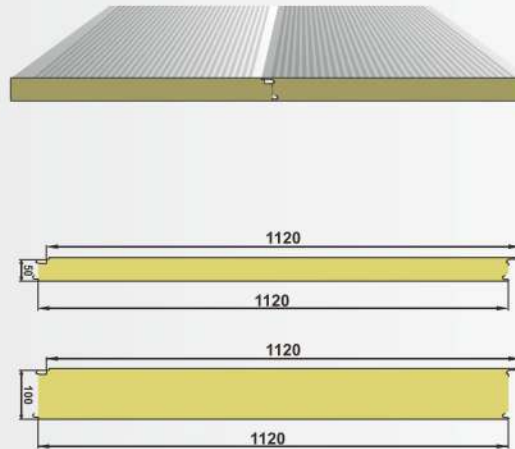
Mineral Wool & Glasswool Sandwich Panel is a non-metallic inorganic material well-crafted from a carefully controlled and selected mix of raw materials, comprised from stone and silica that is heated in extreme temperature, then spun into a flexible, fibrous core.

A highly versatile material that can be manufactured into various densities for various properties and shapes for various building purposes.

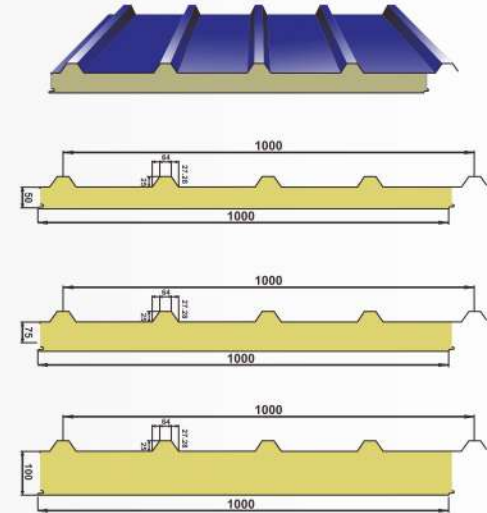
WALL PANEL INTERIOR



WALL PANEL EXTERIOR



ROOF PANEL



Type	Eff. Width - Wall Interior	Eff. Width - Wall Exterior	Eff. Width Roof	Core Thickness (mm) (±3mm)			R Value	Density	Thermal Conductivity	Fire class
				50	75	100				
Mineral Wool	1170 mm (±3mm)	1120 mm (±3mm)	1000 mm (±3mm)	50	75	100	0.7 m ² C/(W.inch)	70-100 kg/m ³ (std) *Made by request	0,031 (W/m.K)	Std & Flame retardant
Glasswool	1170 mm (±3mm)	1120 mm (±3mm)	1000 mm (±3mm)	50	75	100	0.7 m ² C/(W.inch)	50 kg/m ³ (std) *Made by request	0,031 (W/m.K)	Std & Flame retardant

SIGMACLAD

We are committed to offer ONLY the highest of quality wall and roof panels with extensive ranges of function and purposes

Our products have qualified various parameters of quality, strength, and durability, to ensure the satisfaction of our prized clients- Lightweight with extensive range of use in both industries and household purposes

SIGMACLAD provides the best of solutions for our clients with affordable prices

For further information, please contact our product consultants directly or you can reach us via our customer service .

 **PT. CELLINDO SIGMAPERKASA**

Jl. Pasinan - Jabon, Tegalsari, Jabon
Kec. Mojoanyar, Kabupaten Mojokerto
Jawa Timur 61364
Tlp: +62811-3330-4791



**COMPUTERIZED
WITH CONTINUOUS LINE
PRODUCTION SYSTEM**



WE USE CYCLOPENTANE SYSTEM

SIGMACLAD Sandwich Panel uses the latest technology that is safe for ozone layer, recommended by the UN

SIGMACLAD

CONTACT US:

Jl. Raya Pasinan, Ds. Jabon
Mojokerto 61364

Indonesia

Phone: (+62) 321-329003
(+62) 321-5281212



www.cellindosigma.com